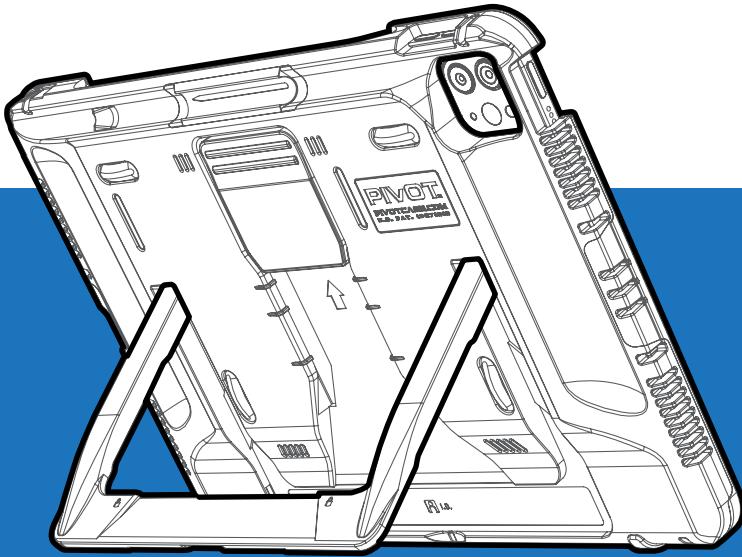


# KICKSTAND REPLACEMENT AND ADJUSTMENT

## User Guide

*For all products featuring the PIVOT Kickstand*



[Issued 2022.09.28]

# PIVOT™

Better Connection. Better Protection.  
*Making the Case for Aviation.*

# PIVOT™

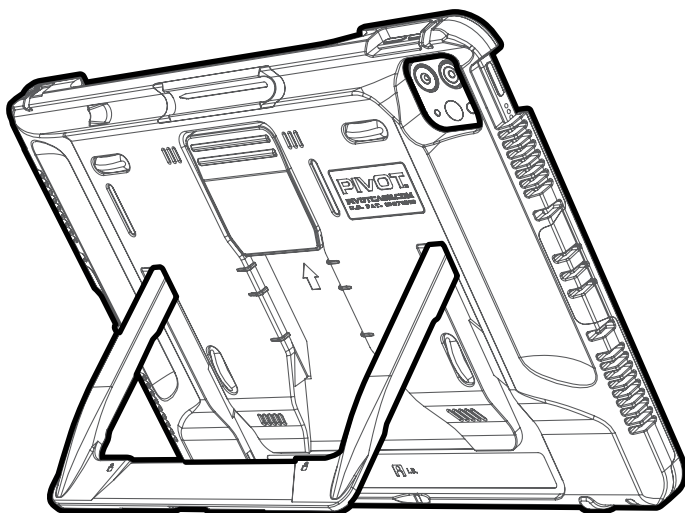
**Better Connection. Better Protection.**  
*Making the **Case** for Aviation.*

## KICKSTAND REPLACEMENT AND ADJUSTMENT USER GUIDE



### Read Before Use

*Follow the instructions in this guide to replace a damaged or defective kickstand, or to adjust a kickstand that is difficult to operate due to improper alignment.*



# Read Before Use

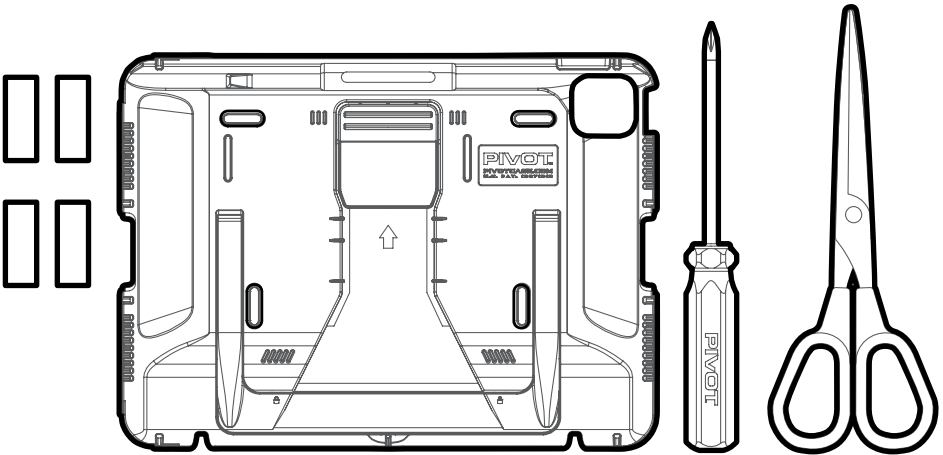
If the PIVOT Kickstand is damaged or defective, replace it using the Replacing Kickstand section of this guide (Page 5).

If the PIVOT Kickstand is difficult to operate, follow the instructions in the Kickstand Adjustment section of this guide (Page 8).

## Tools and Preparation

Proper replacement or adjustment of the kickstand requires the following:

1. Paper Shims: Make paper shims by cutting a business card or index card into four strips. Aprox. size: 0.7 x 2 in
2. Phillips Screwdriver Size #1
3. Scissors



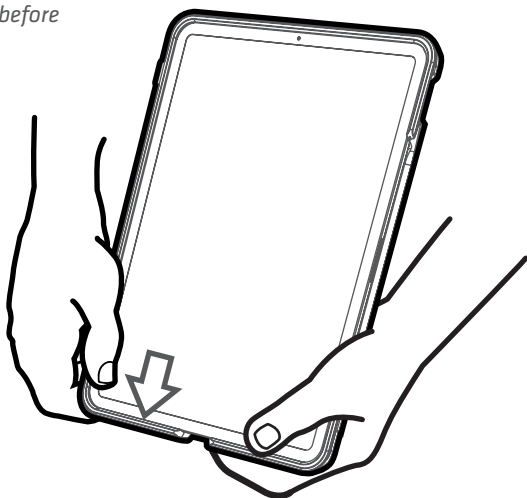
### **Pro Tip!**

A screwdriver that is too small or too large may damage the PIVOT case and Kickstand.

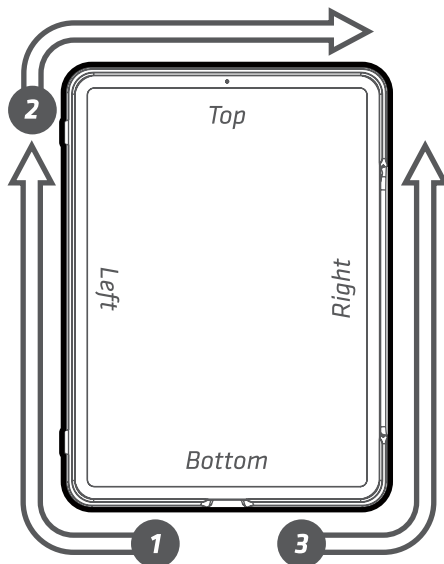
## Removing Device

Remove the device from the PIVOT case before replacing or adjusting the kickstand.

Beginning with the bottom edge near the charging port, press firmly using your thumbs to disengage the case seal. Continue carefully pressing around the edges of the case to release the device in the order shown. Do not attempt to pry or force the device from the case.



1. Start at the bottom and move left.
2. Continue around the top edge.
3. Release the right edge to remove device.

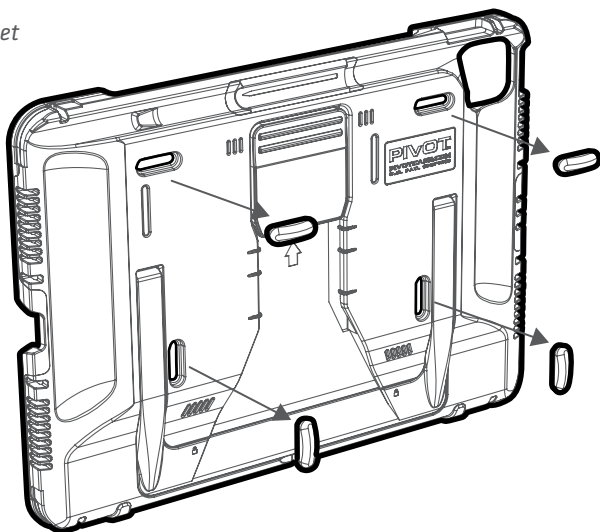


### **!** Warning!

Do not use excessive force or tools of any kind during installation or removal of device. Doing so may cause damage or personal injury.

## Replacing Kickstand

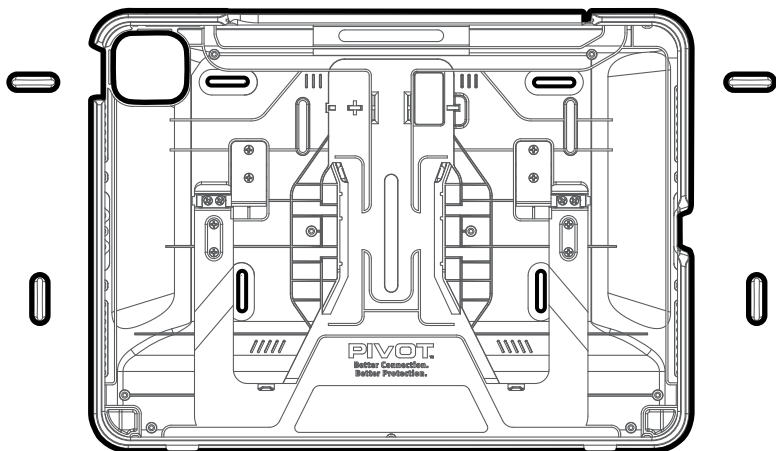
*STEP 1: Remove the four rubber feet on the case back by pushing them out from the inside. This allows the case to rest flat and flush on the table surface. Do not attempt kickstand replacement without accomplishing this step.*



### **! Pro Tip!**

*The rubber feet can be easily removed using a flat head screw driver and applying gentle pressure from the inside of the case. Set the rubber feet aside you will need them later.*

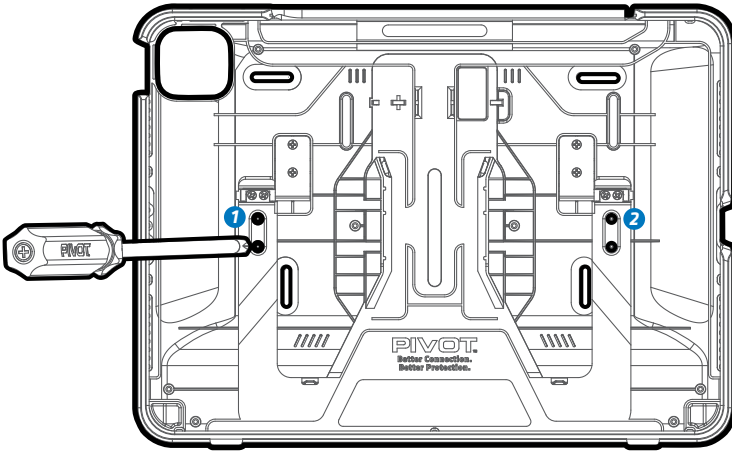
*STEP 2: Place the case body on a flat work surface, with the interior facing up, as illustrated.*



**STEP 3:** Remove screws as indicated using a Phillips screwdriver in the following order:

1. Left Kickstand Hinge, 2x Screws

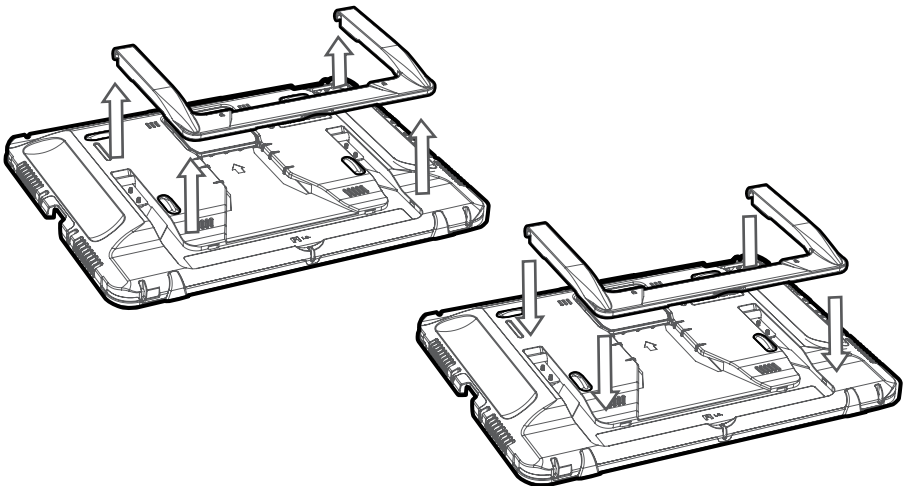
2. Right Kickstand Hinge, 2x Screws



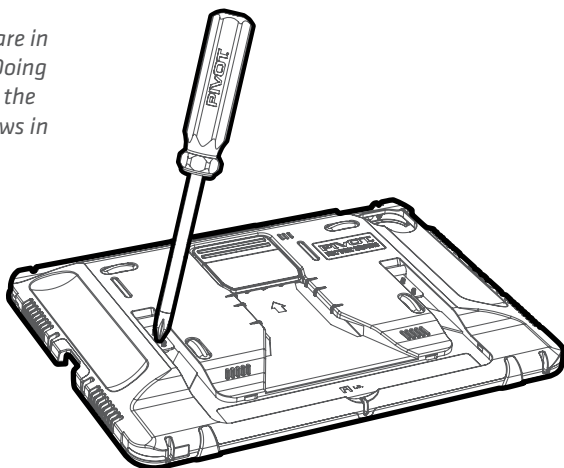
**! Warning!**

Do not use power tools of any kind. Doing so may result in injury or damage. Use a manual Phillips screwdriver when loosening, removing or tightening screws.

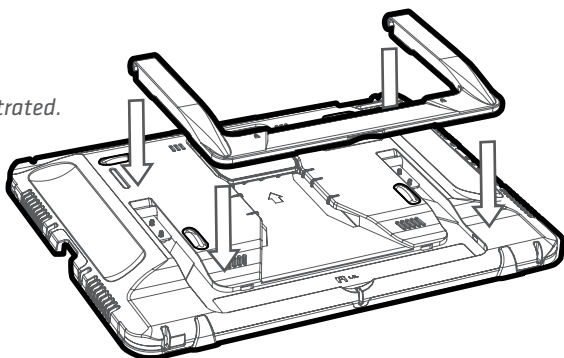
**STEP 4:** Flip case over and remove old kickstand. Install new kickstand from the top-down as illustrated. Carefully flip case over again and replace the screws removed in STEP 3 in reverse order.



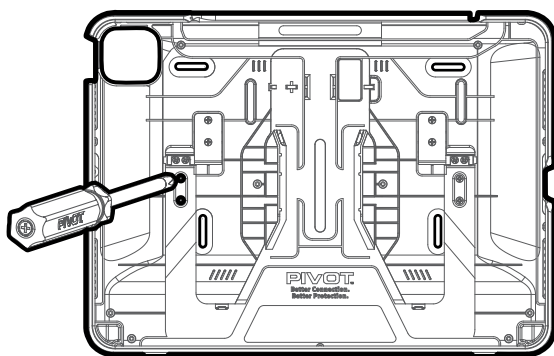
*STEP 5: Ensure the kickstand hinges are in the 0-degree position as illustrated. Doing so will ensure the threaded inserts on the kickstand properly align with the screws in the hinges.*



*STEP 6: Install new kickstand as illustrated.*

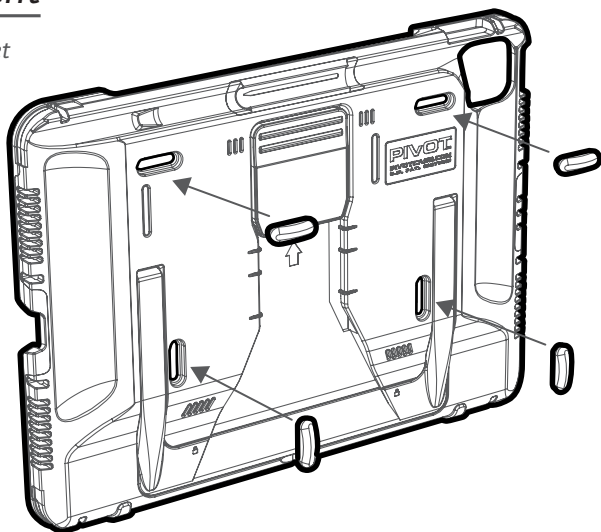


*STEP 7: Gently flip case over. Loosely tighten kickstand hinge screws. Do not fully tighten screws. You will fully tighten the screws in the next section, Kickstand Adjustment. Proceed to step 2 on the next page to adjust and align the kickstand.*

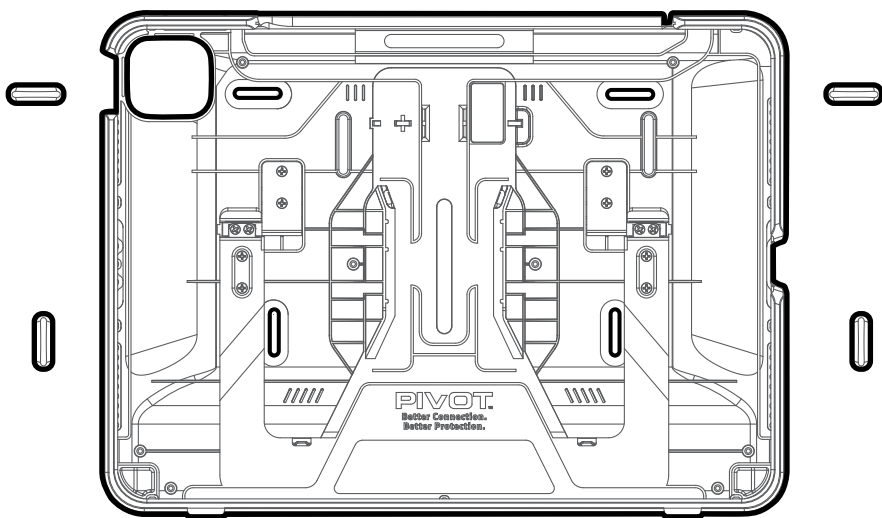


## Kickstand Adjustment

*STEP 1: Remove the four rubber feet on the case back by pushing them out from the inside. This allows the case to rest flat and flush on the table surface. Do not attempt kickstand replacement without accomplishing this step.*



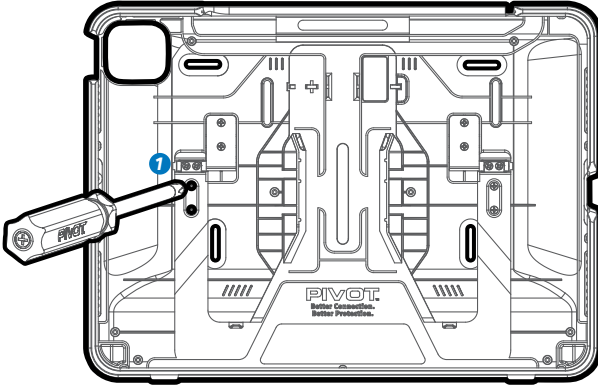
*STEP 2: Place on a flat table or surface, face up.*



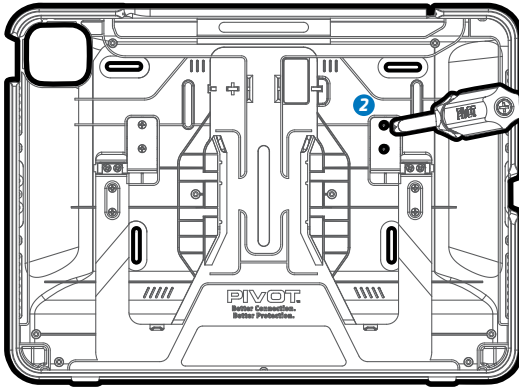


STEP 3: Loosen, but do not remove the screws as indicated using a Phillips screwdriver in the following order:

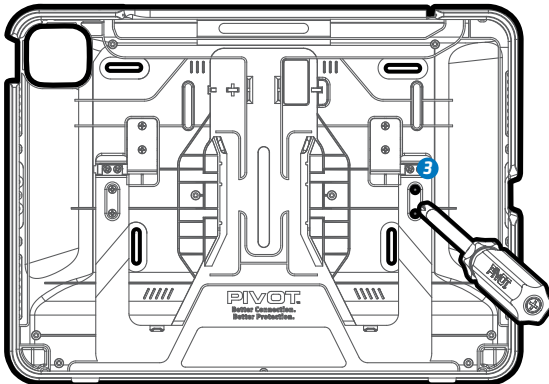
**1** Left Kickstand Hinge



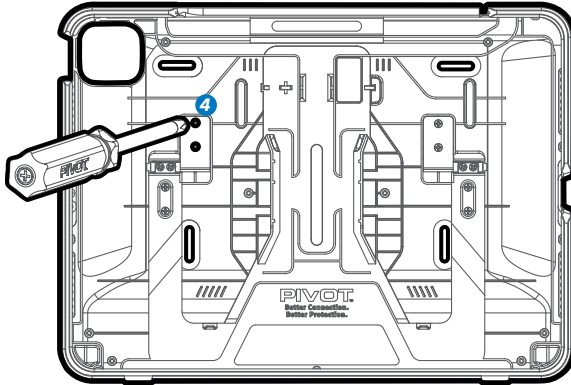
**2** Right Case Hinge



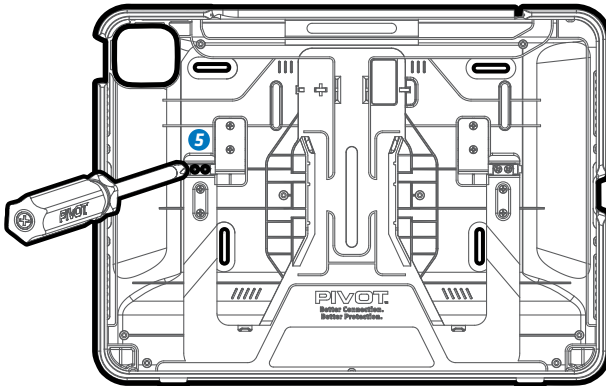
**3** Right Kickstand Hinge



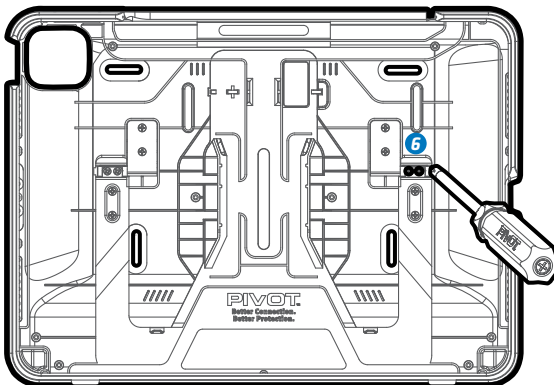
**4** Left Case Hinge



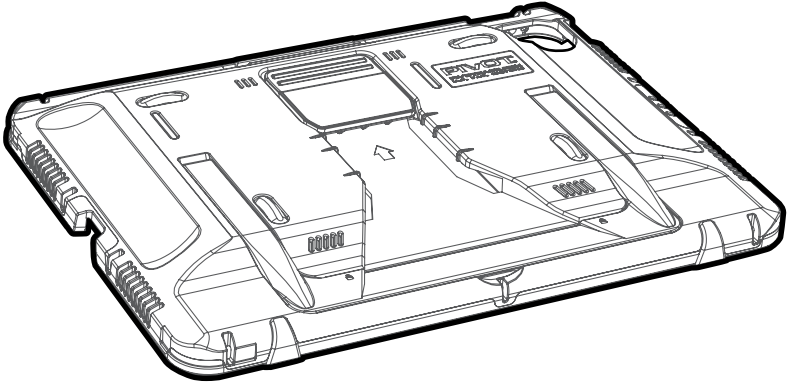
**5** Left Metal Hinge Barrel



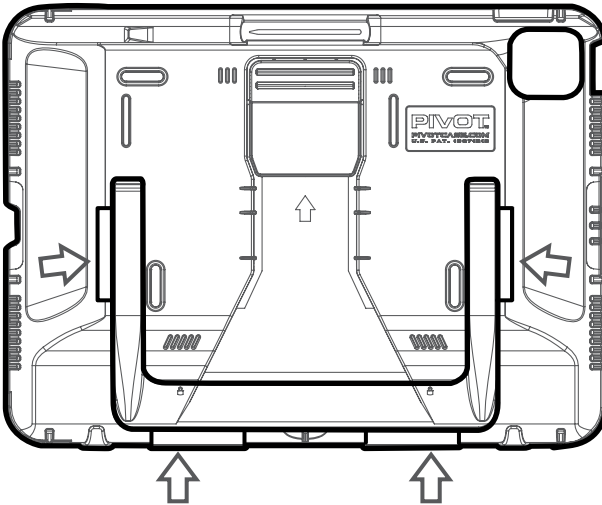
**6** Right Metal Hinge Barrel



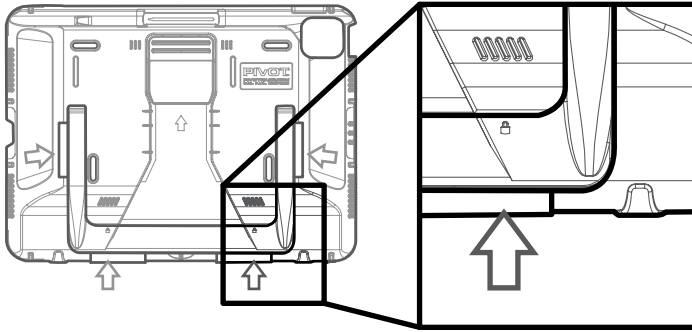
STEP 4: Flip case over.



STEP 5: Insert the four paper shims as illustrated below.

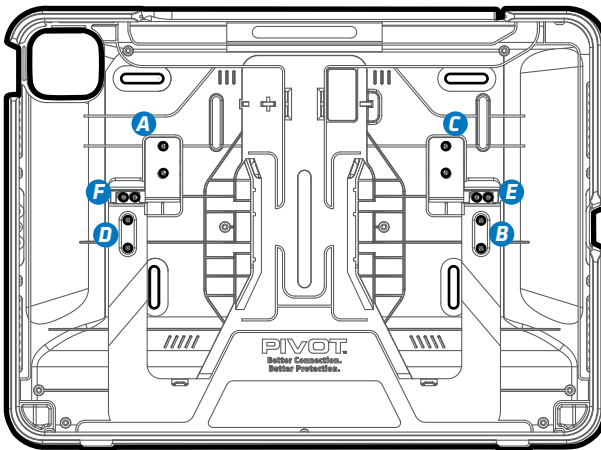


*STEP 6: The paper shims align and center the kickstand, which ensures proper engagement of the locking tabs. Kickstand misalignment will cause the locking tabs to fail to engage or engage too loosely, or to engage too tightly, making it very difficult to open the kickstand.*



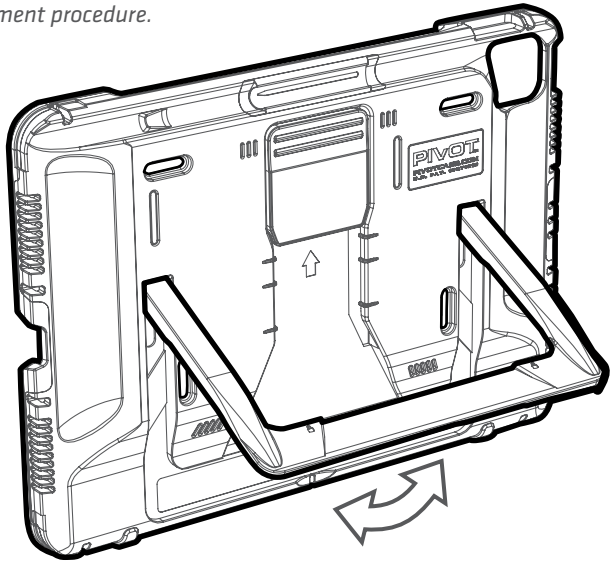
*STEP 7: With paper shims installed, carefully flip case over. Tighten all screws in the following order:*

- A. Left Case Hinge
- B. Right Kickstand Hinge
- C. Right Case Hinge
- D. Left Kickstand Hinge
- E. Right Metal Hinge Barrel
- F. Left Metal Hinge Barrel

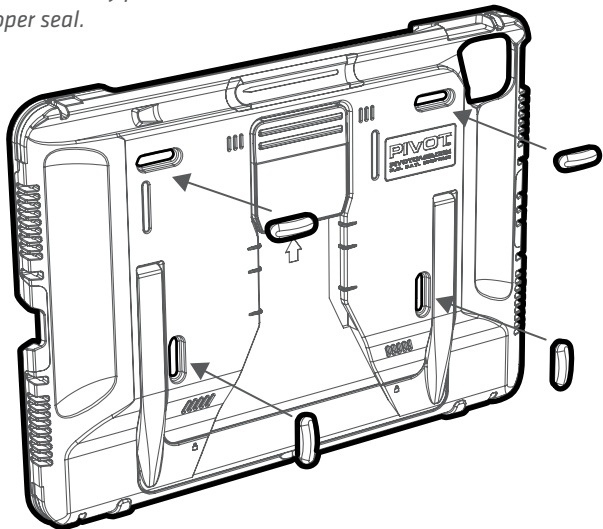


**! Warning!**  
*Hand-tighten only. Do not over-tighten or use power tools of any kind. Doing so may result in damage.*

*STEP 8: Remove paper shims and test kickstand function by opening and closing it several times. If it does not function as desired, return to STEP 3 and re-accomplish the adjustment procedure.*



*STEP 9: Reinstall the four rubber feet by inserting them from the outside of the case. Firmly press the feet into place to ensure a proper seal.*



# *Thank you.*

*Learn more at:*  
**PIVOTCASE.COM**

## *PIVOT SUPPORT*

*If you have questions please contact PIVOT Support.*



[www.pivotcase.com/support](http://www.pivotcase.com/support)



[sales@pivotcase.com](mailto:sales@pivotcase.com)



1-888-4-FLYBOYS (1-888-435-9269)



[www.youtube.com/c/pivotcasevideo](http://www.youtube.com/c/pivotcasevideo)



#EFBMADESIMPLE  
@PIVOTCASE